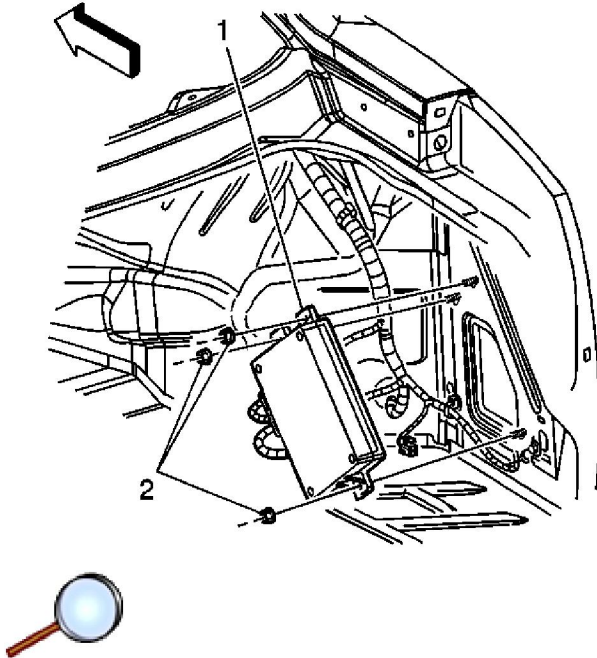


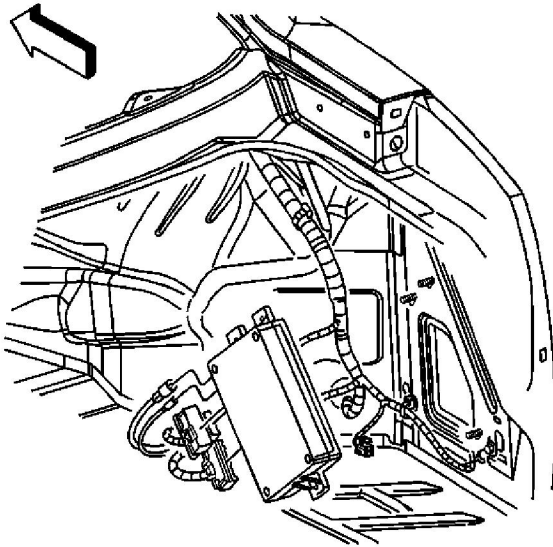
Communication Interface Module Replacement

Removal Procedure



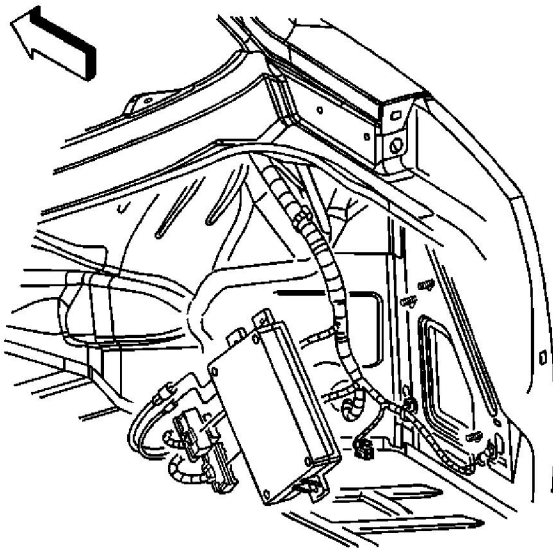
Important: The vehicle communication interface module (VCIM) has a specific set of unique numbers that tie the module to each vehicle. These numbers, the 10-digit station identification and the 11-digit electronic serial number, are used by the National Cellular Network and OnStar® to identify the specific vehicle. Because these numbers are tied to the vehicle identification number of the vehicle, you must never exchange these parts with those of another vehicle.

1. Remove the right rear compartment trim. Refer to [Rear Compartment Trim Panel Replacement](#).
2. Remove the nuts (2) securing the OnStar® module (1) to the vehicle body.



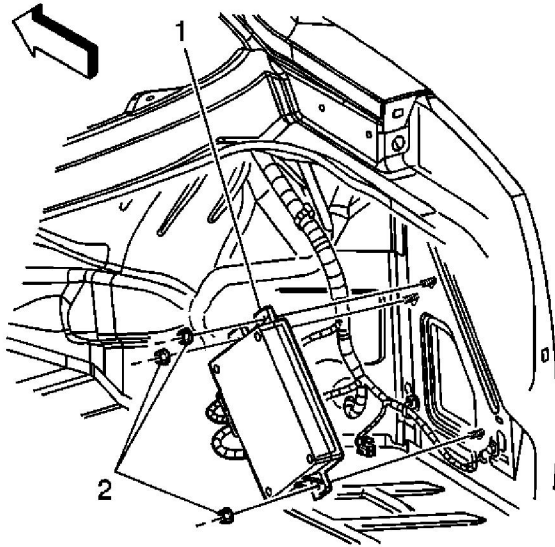
3. Disconnect all the electrical connectors from the module.
4. Remove the module from the vehicle.

Installation procedure



1. When replacing the VCIM, record the 11-digit electronic serial number (ESN) and the 10-digit station identification (STID) number from the label on the new VCIM.
2. Reconnect the electrical connectors the module.

Notice: Refer to [Fastener Notice](#) in the Preface section.



3. Install the module onto the vehicle.

Tighten

Tighten the nuts to 9 N·m (80 lb in).

Important: After replacing the VCIM, you must reconfigure the OnStar® system. Failure to reconfigure the system will result in an additional customer visit for repair. In addition, pressing and holding the white dot button on the keypad will NOT reset this version of the OnStar® system. This action will cause a DTC to set.

4. Reconfigure the OnStar® system. Refer to [Control Module References](#) for programming and setup information.